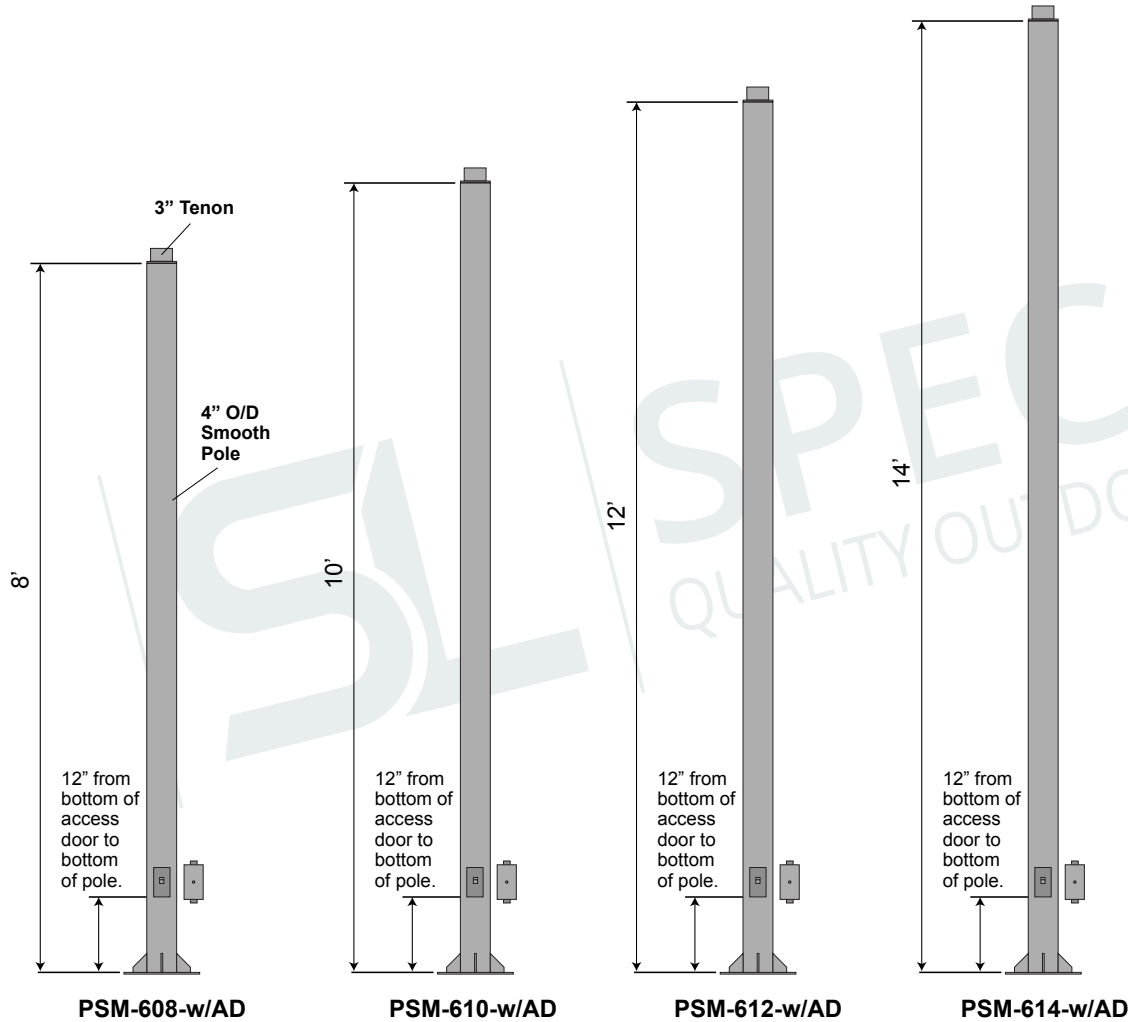


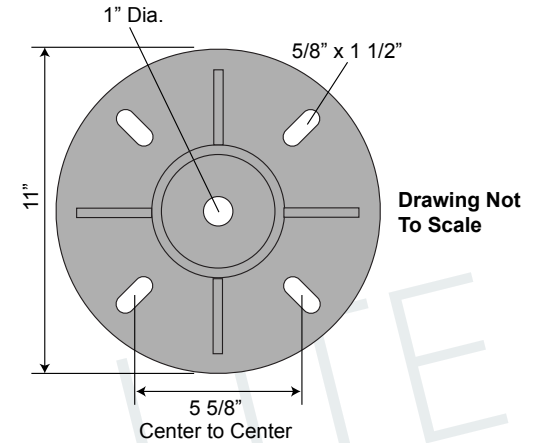
# PSM-6\*\*-wAD

4" O/D Smooth Round Pole Surface Mount

## Mounting Template and Installation Instructions



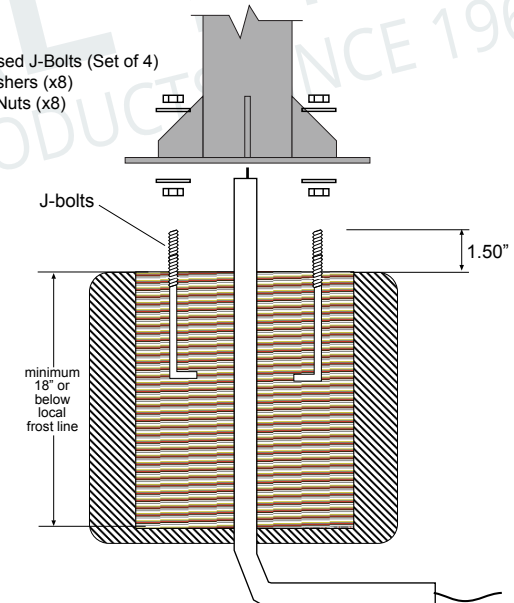
### MOUNTING PLATE DETAIL



### SURFACE MOUNT INSTALLATION DIAGRAM

#### HARDWARE

- 1/2-13x12" Galvanised J-Bolts (Set of 4)
- 1/2 Galvanised Washers (x8)
- 1/2-13 Galvanised Nuts (x8)



4				
3	Added J-Bolt and Hardware Info	GL	TW	09/25/20
2				
1	Released for quotation or production		MT	08/20/19
REV	DESCRIPTION OF CHANGE	DIRECTED BY	CHANGED BY	DATE



1634 Latrobe-Derry Road  
Loyalhanna, PA 15661  
Phone: (724) 537-4711  
Fax: (724) 537-9313

www.specialliteproducts.com  
customer\_service@specialliteproducts.com

**DRAWING NUMBER:** 22878-3I

**CUSTOMER:** N/A

**PROJECT:** N/A

**DRAWING DATE:** 08/20/2019

**DRAWING DESCRIPTION:**

PSM-6\*\*-w/AD

Special Lite Products is not responsible for checking local municipal codes. Please verify specifications with your municipality before placing an order.

This document contains confidential and proprietary information that is the property of Special Lite Products. It may not be shared, copied or used in whole or in part with third parties without the expressed written consent of Special Lite Products.

**FABRICATION TO BEGIN AFTER DRAWING HAS BEEN APPROVED, SIGNED THEN FAXED OR EMAILED TO SPECIAL LITE PRODUCTS.**

**Signature:** \_\_\_\_\_ **Date:** \_\_\_\_\_